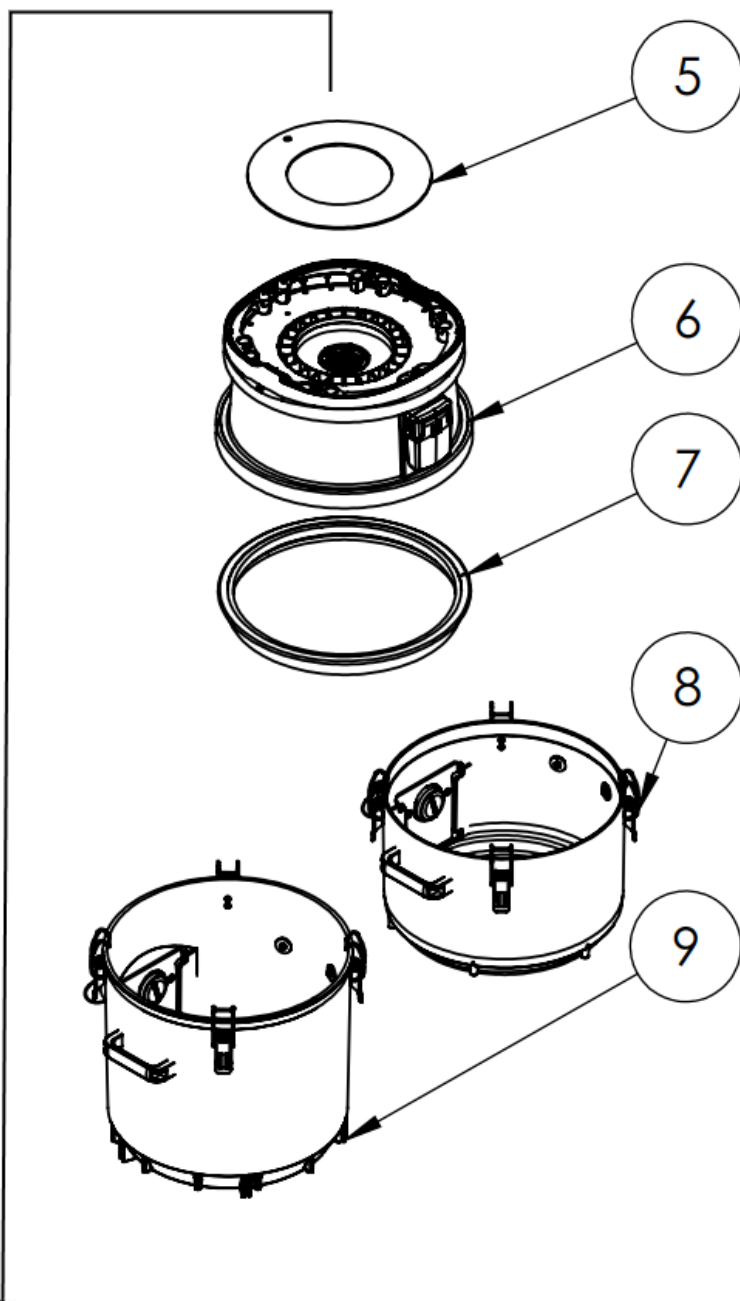
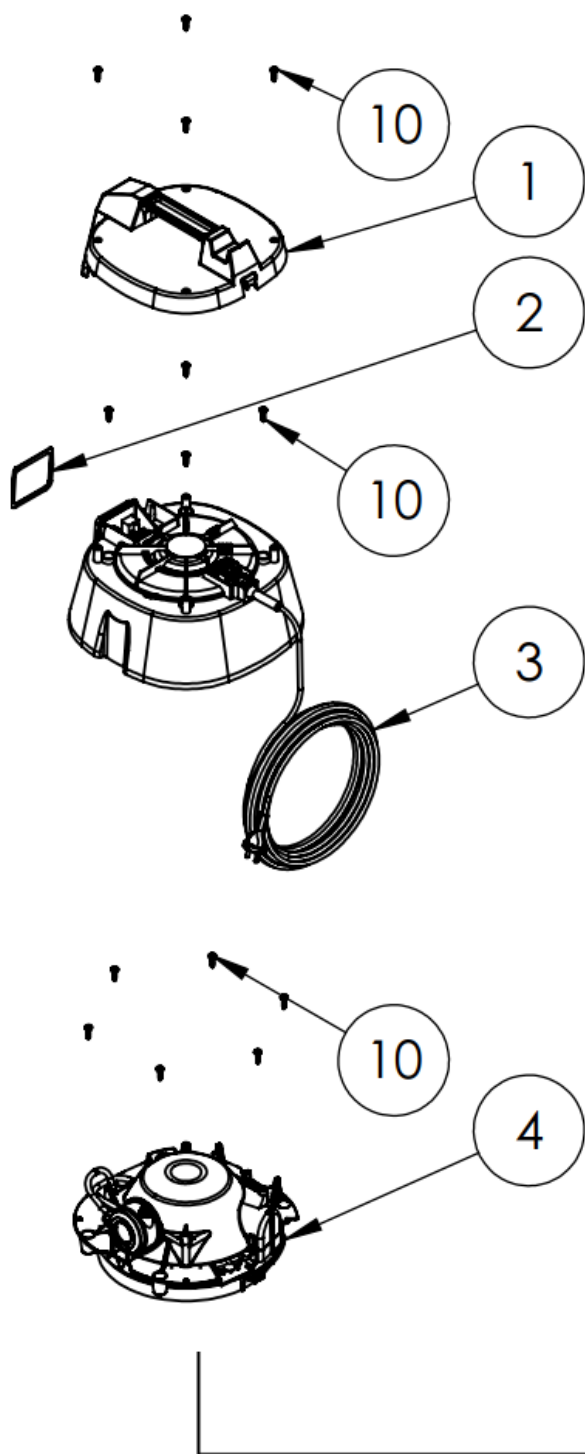


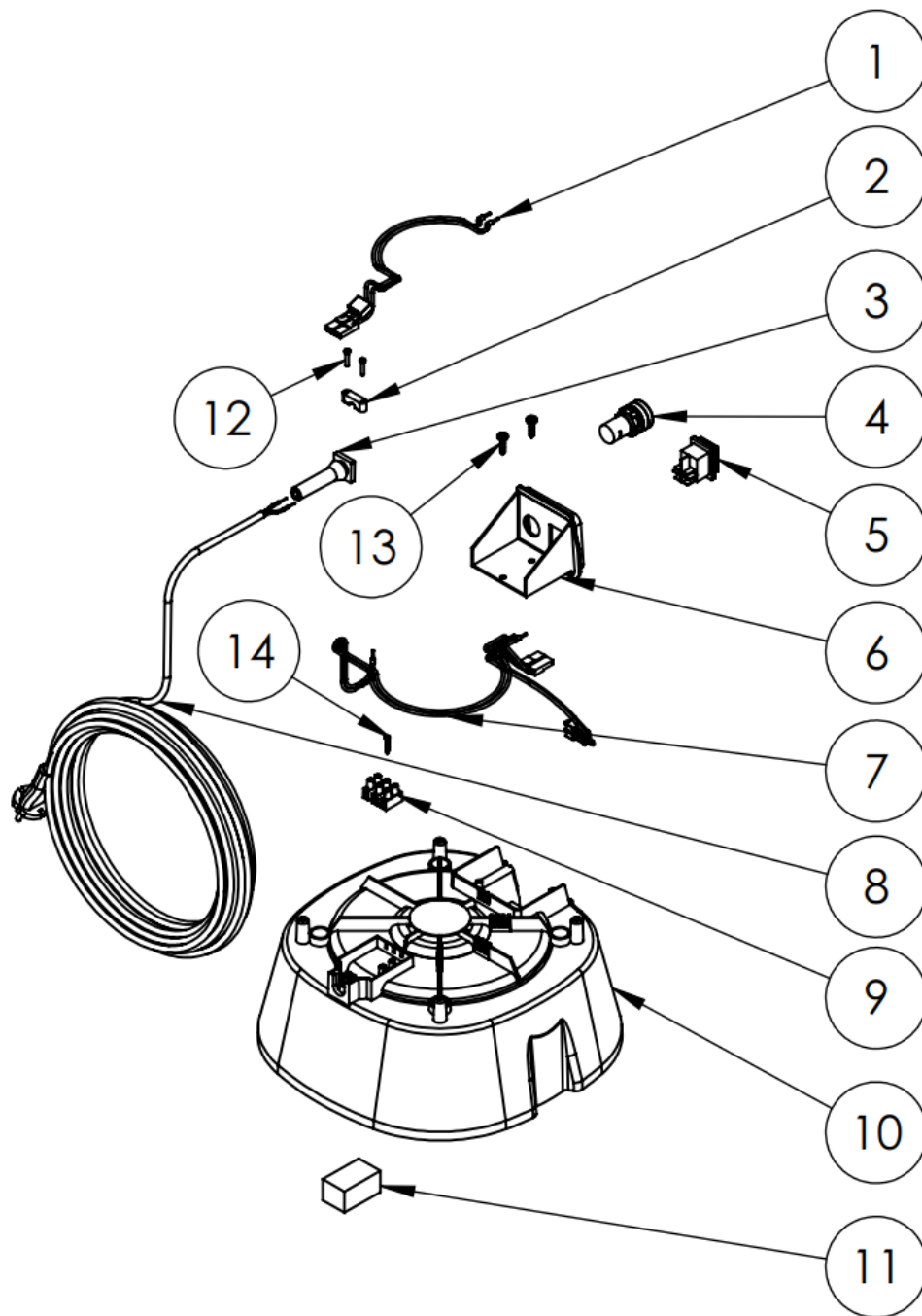


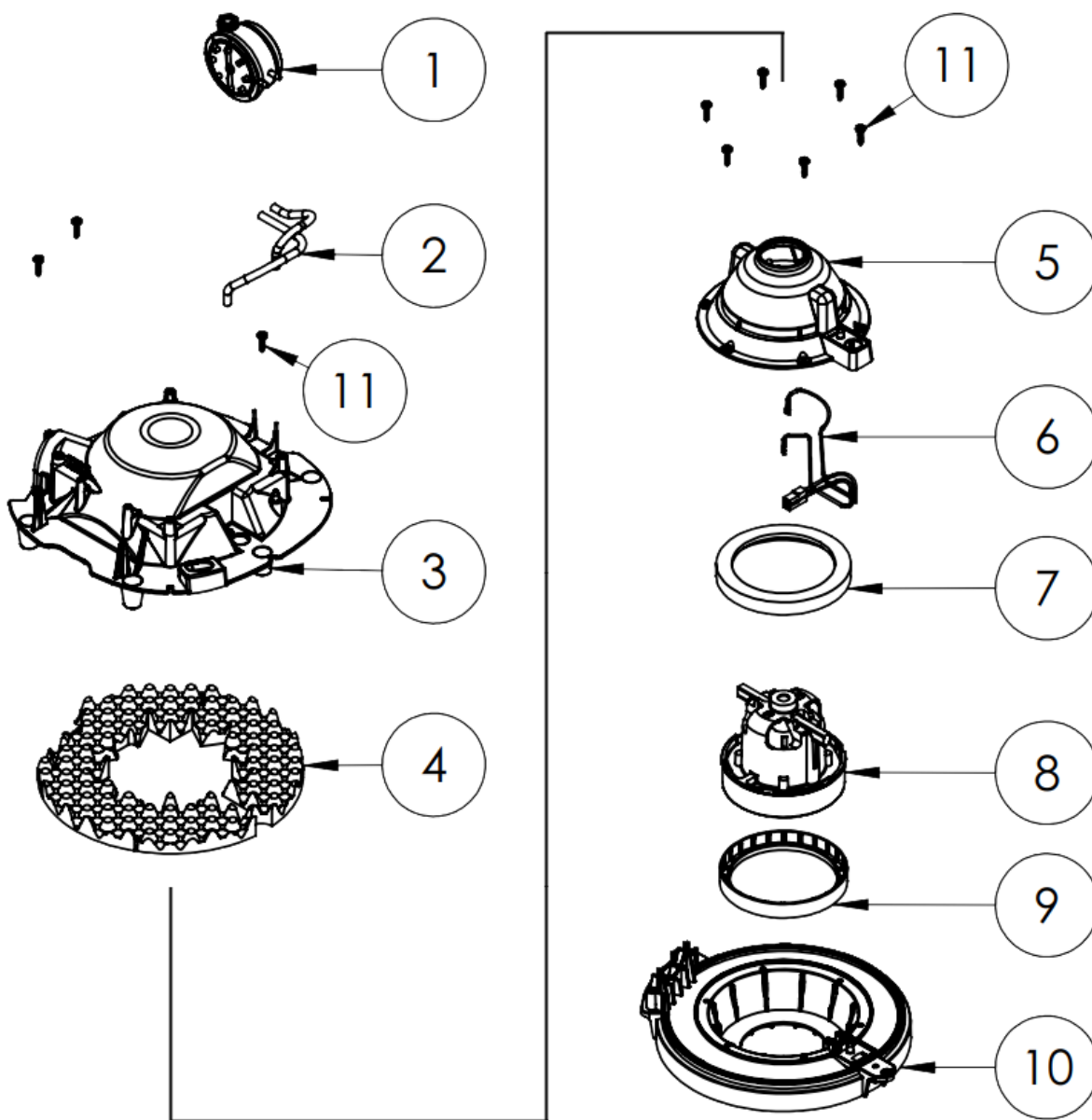
V. Brøndum

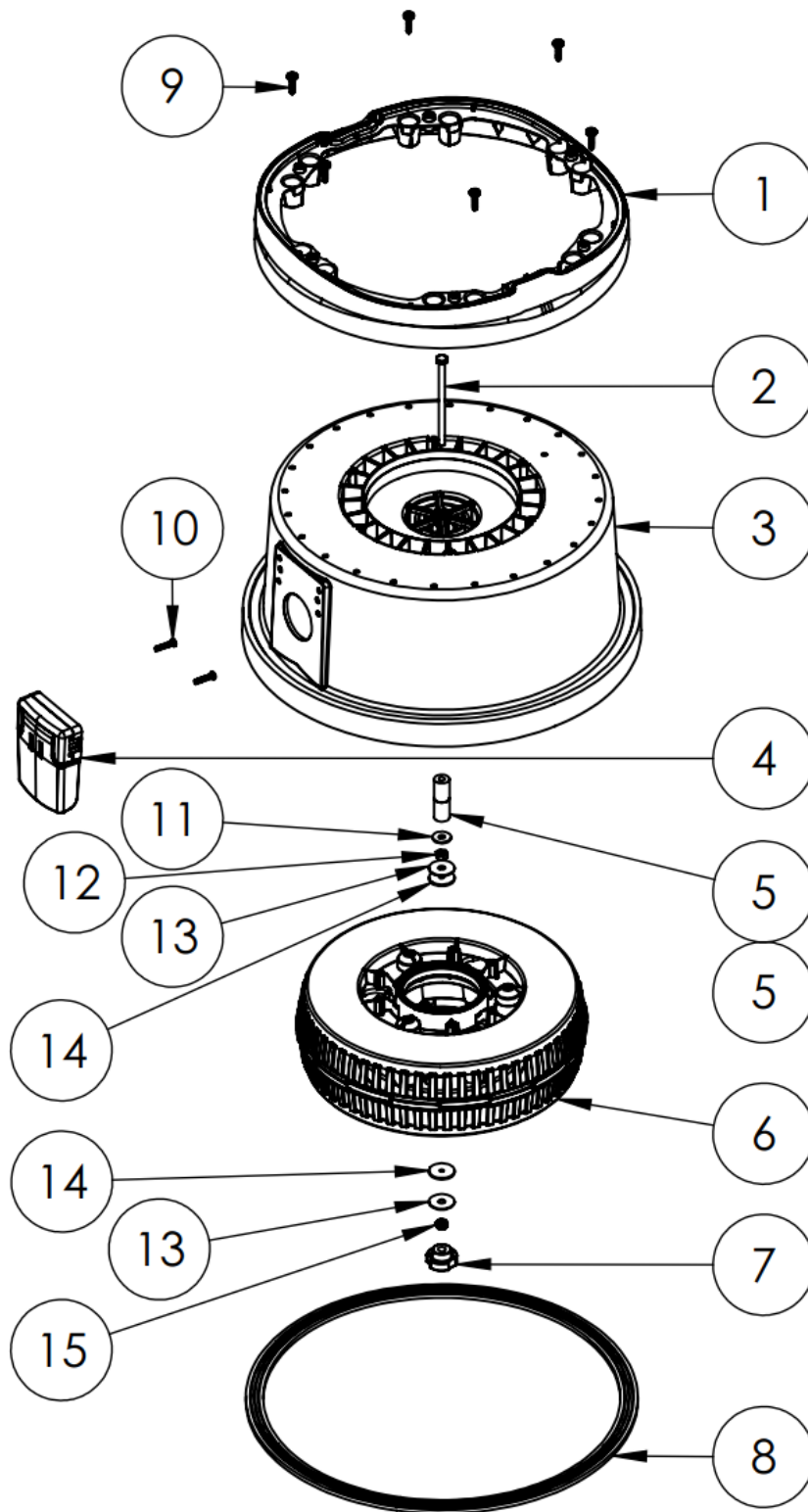
RONDA 80H
1100W



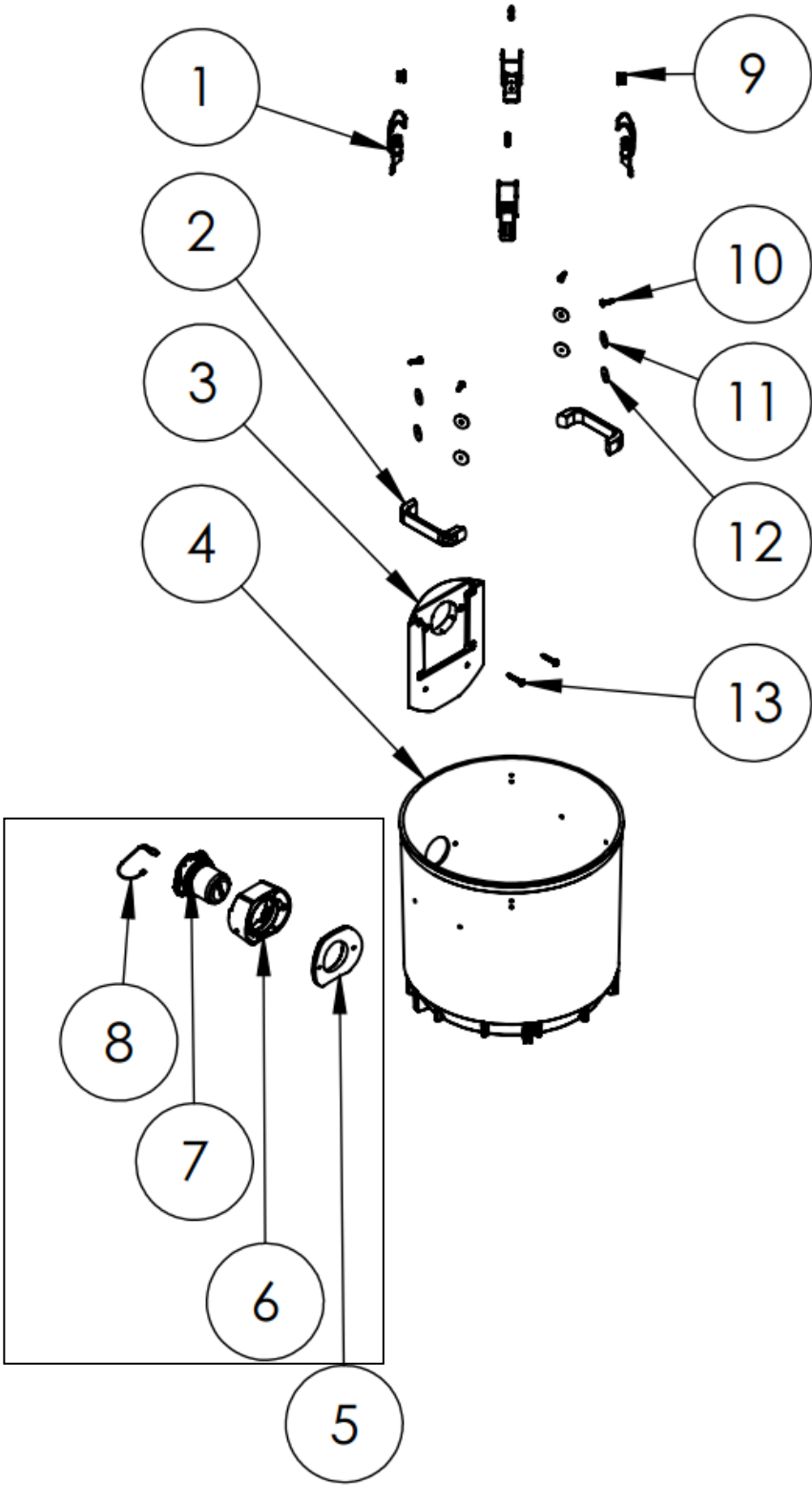
| V.Brøndum A/S | | Assembly diagram (2) | | RONDA 80H |
|---------------|-------------|----------------------|------------------------|---------------|
| Pos. | BESKRIVELSE | DESCRIPTION | BESCHREIBUNG | VARE/ITEM No. |
| 1 | | | | 81893641 |
| 2 | | | | 81953770 |
| 3 | Se TAB (3) | See TAB (3) | Bitte TAB (3) ansehen | - |
| 4 | Se TAB (5) | See TAB (5) | Bitte TAB (5) ansehen | - |
| 5 | | | | 81950015 |
| 6 | Se TAB (7) | See TAB (7) | Bitte TAB (7) ansehen | - |
| 7 | | | | 84673050 |
| 8 | Se TAB (9) | See TAB (9) | Bitte TAB (9) ansehen | - |
| 9 | Se TAB (11) | See TAB (11) | Bitte TAB (11) ansehen | - |
| 10 | | | | 81970140 |

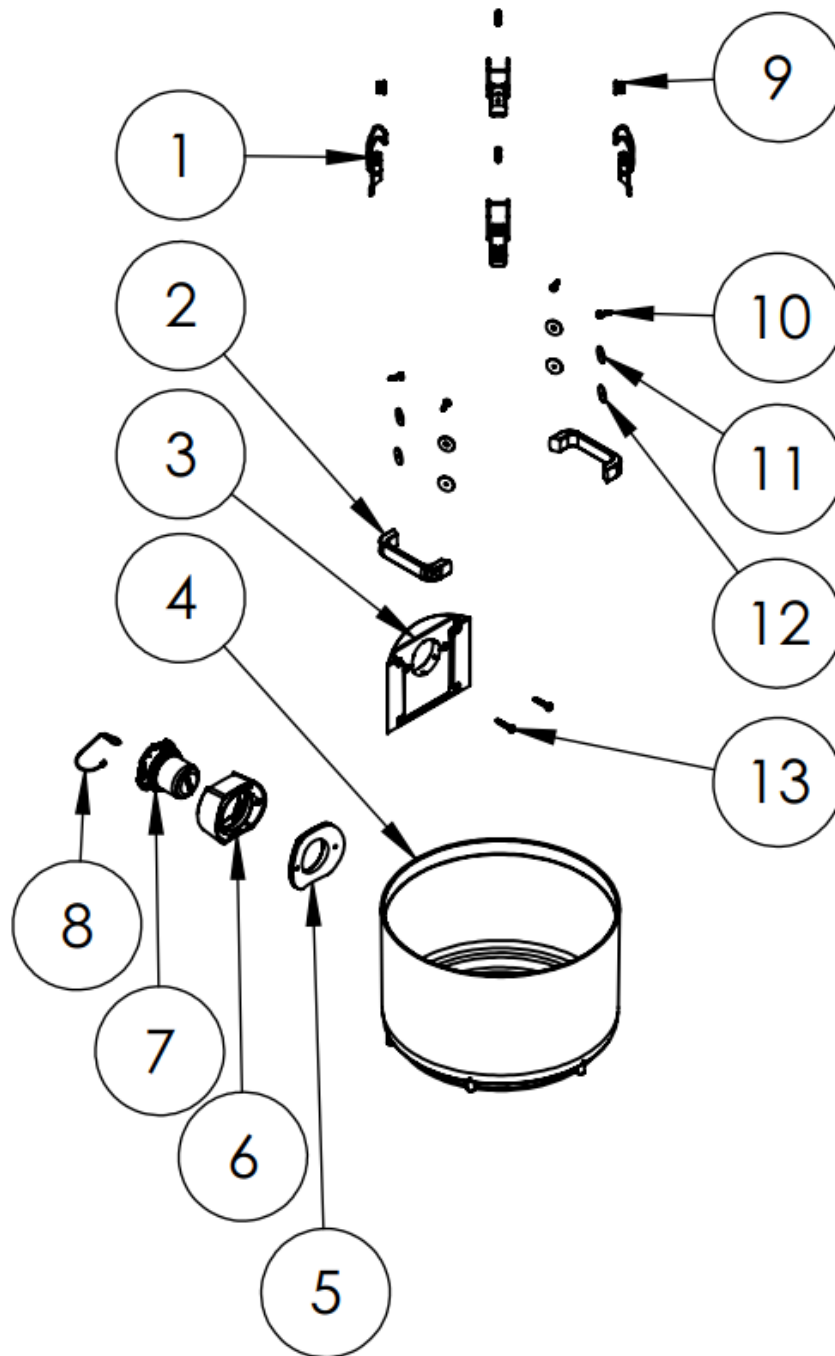






| V.Brøndum A/S | | Spare Parts: Filter/motor base (8) | | RONDA 80H |
|---------------|--|--|---|------------------|
| Pos. | BESKRIVELSE | DESCRIPTION | BESCHREIBUNG | VARE/ITEM No. |
| 1 | Udblæsningsring, sort | Exhaust air ring, black | Ausbläsering, schwarz | 83894253 |
| 2 | 6-kant bolt 6x100mm fuldt gevind, FZB | Hexagon bolt M6x100mm | Sechskant Schraube M6 x 100mm FZB | 8397421A |
| 3 | PP adapterring uden (1), sort | Black PP adapter ring without (1) | Schwarzer PP Adapterring ohne (1) | 83894254 |
| 4 | Chokventil "RONDA" | Shock valve "RONDA" | Schock Ventil "RONDA" | 8389492B |
| 5 | Afstandsstykke flad, L30mm D15mm, plast | Distance piece, D.15/d.6mm x 30mm, flat | Stützsteg, flach, L30mm D15mm d6mm, kunststoff | 83974290 |
| 6 | H-klasse HEPA | H-Class HEPA | H-Klasse HEPA | 84675036 |
| 7 | Fingerskrue Ø-30 M6 indv. gev. | Thumbscrew D.30 M6 internal thread | Rändelschraube D.30 M6 Innengewinde | 81971301 |
| 8 | Beholderpakning | Bottom lid seal | Behälterdichtung | 81953390 |
| 9 | Skrue 5x20 PAN AW20 FZB | Plastitescrew 5x20mm | Plastiteschraube 5x20mm | 81970140 |
| 10 | 4,2x24mm plastite skrue TX20 | Screw 4.2 x 24mm SP | Schraube 4,2 x 24 mm SP | 81971530 |
| 11 | Rustfri skive 18 x 6,4 x 1,6mm | Washer D.18 x D.6,4 x 1,6mm, inox | Rostfreie Scheibe 18x6,4x1,6mm | 81970008 |
| 12 | M6 møtrik, rustfri | M6 nut | M6 Mutter | 81970500 |
| 13 | Skærmskive 6x24x1mm | M6 washer D.24 x 1mm | Scheibe 6x24x1mm | 81971000 |
| 14 | Gummiskive Ø25 | Seal D.25 | Gummischeibe D.25 | 8197099A |
| 15 | M6 låsemøtrik. rustfri | M6 self locking nut, stainless A2 | M6 selbstsichernde Mutter, rostfrei A2 | 8397050A |





Page intentionally left blank

Page intentionally left blank

Page intentionally left blank