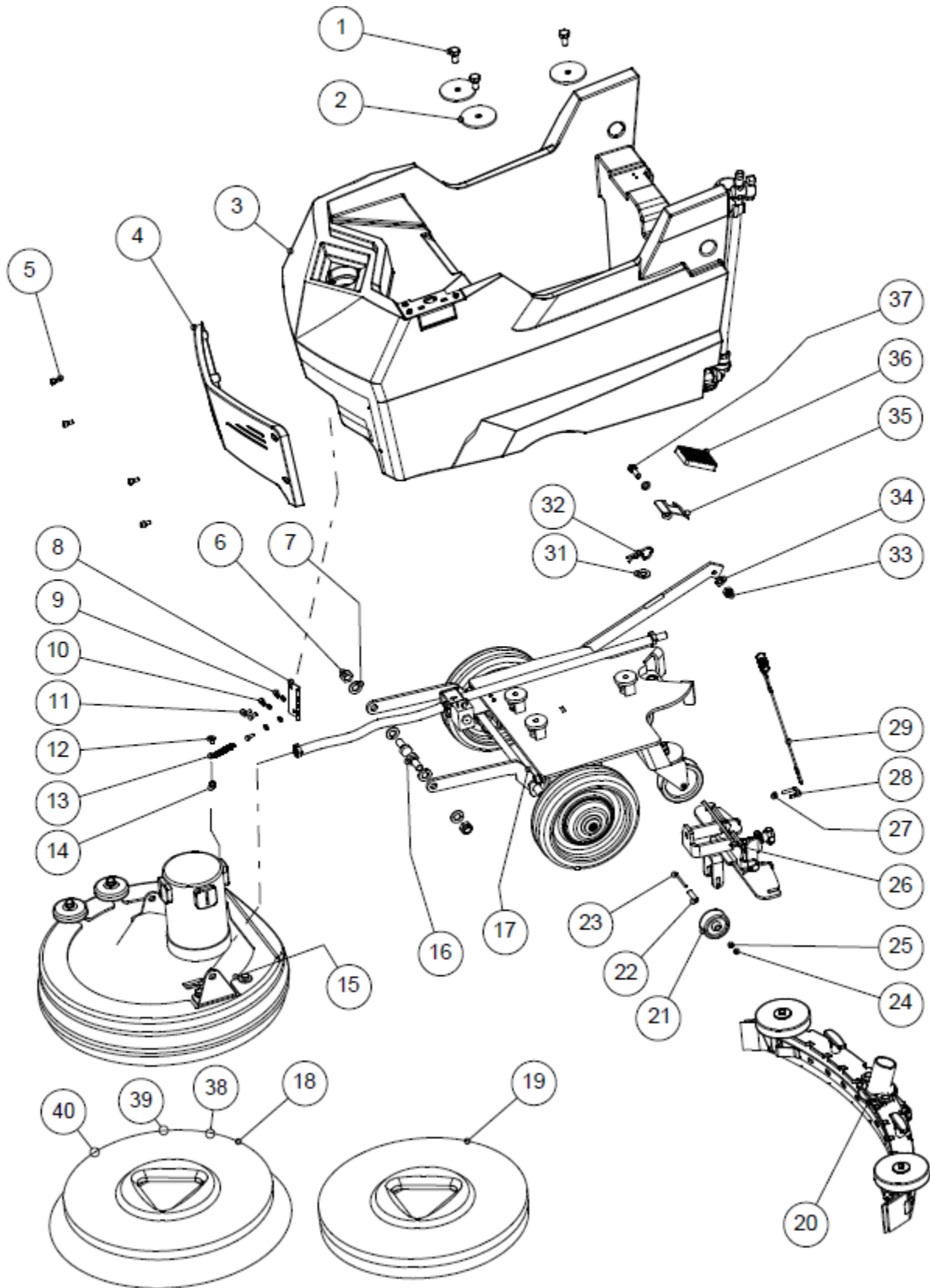




V. BRØNDUM A/S

Splittegning
Exploded View
Explosionszeichnung

Ghibli
Freccia 30 SM 45 BC/T

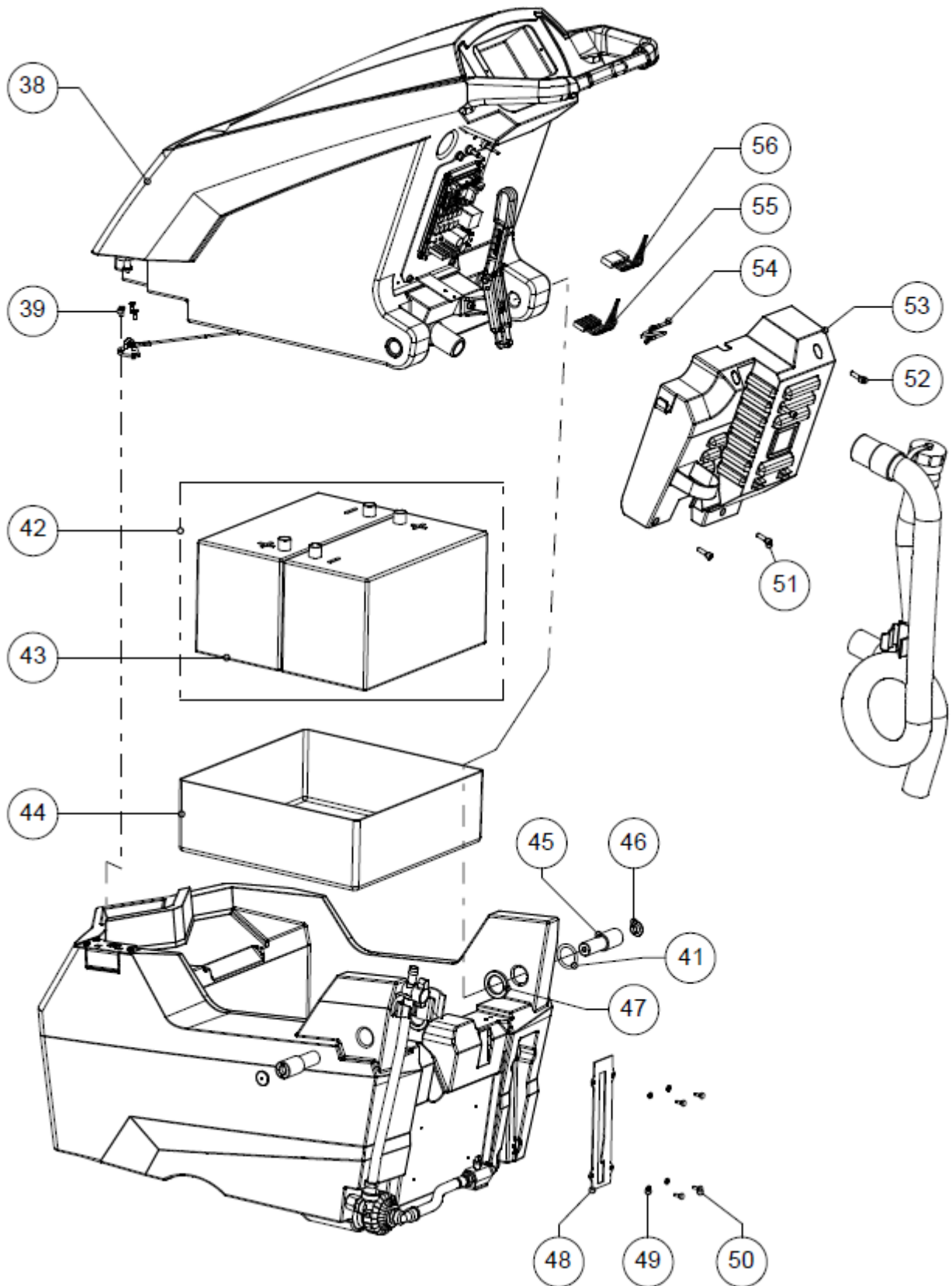




V. BRØNDUM A/S

Splittegning
Exploded View
Explosionszeichnung

Ghibli
Freccia 30 SM 45 BC/T

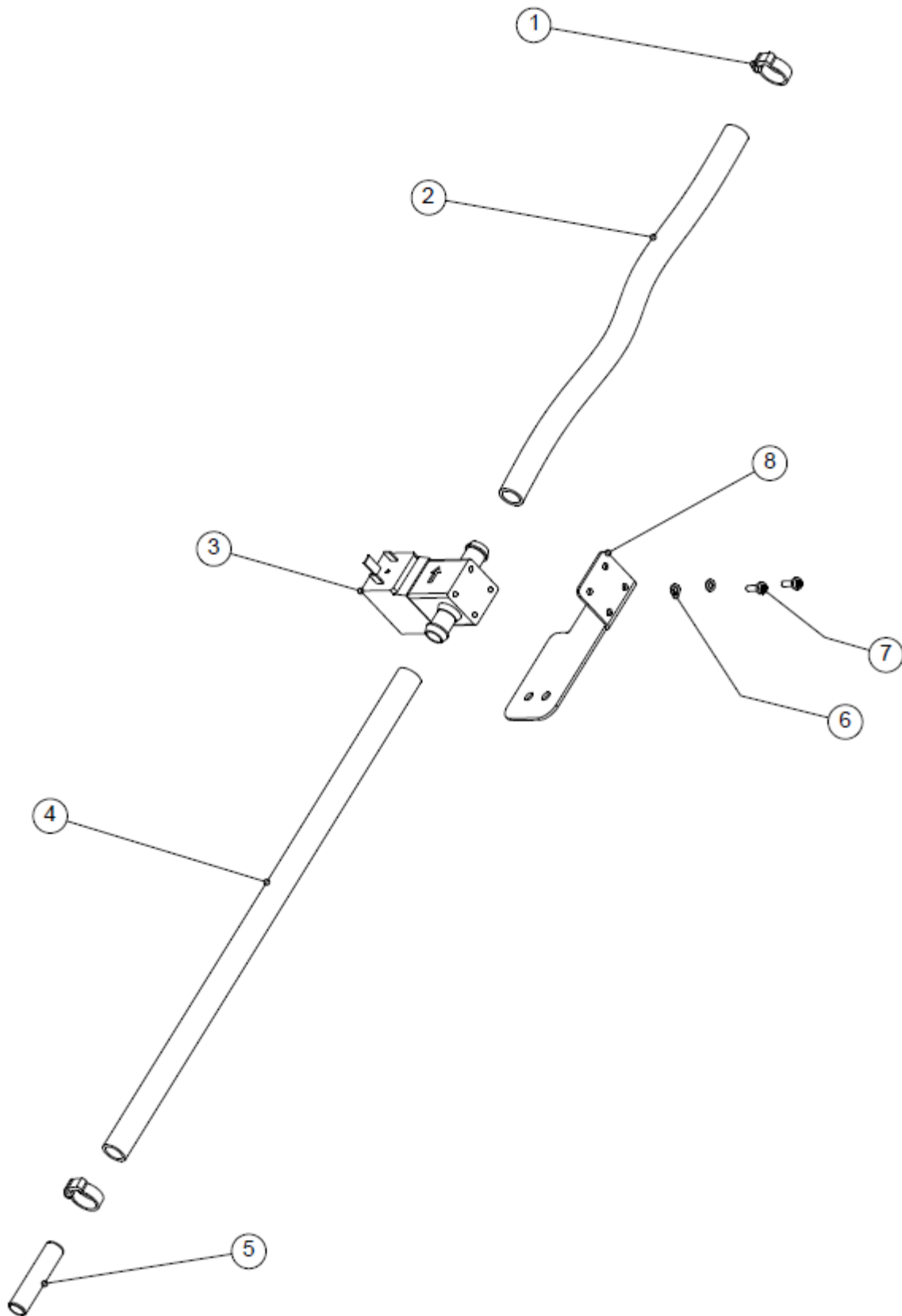




V. BRØNDUM A/S

Splittegning
Exploded View
Explosionszeichnung

Ghibli
Freccia 30 SM 45 BC/T

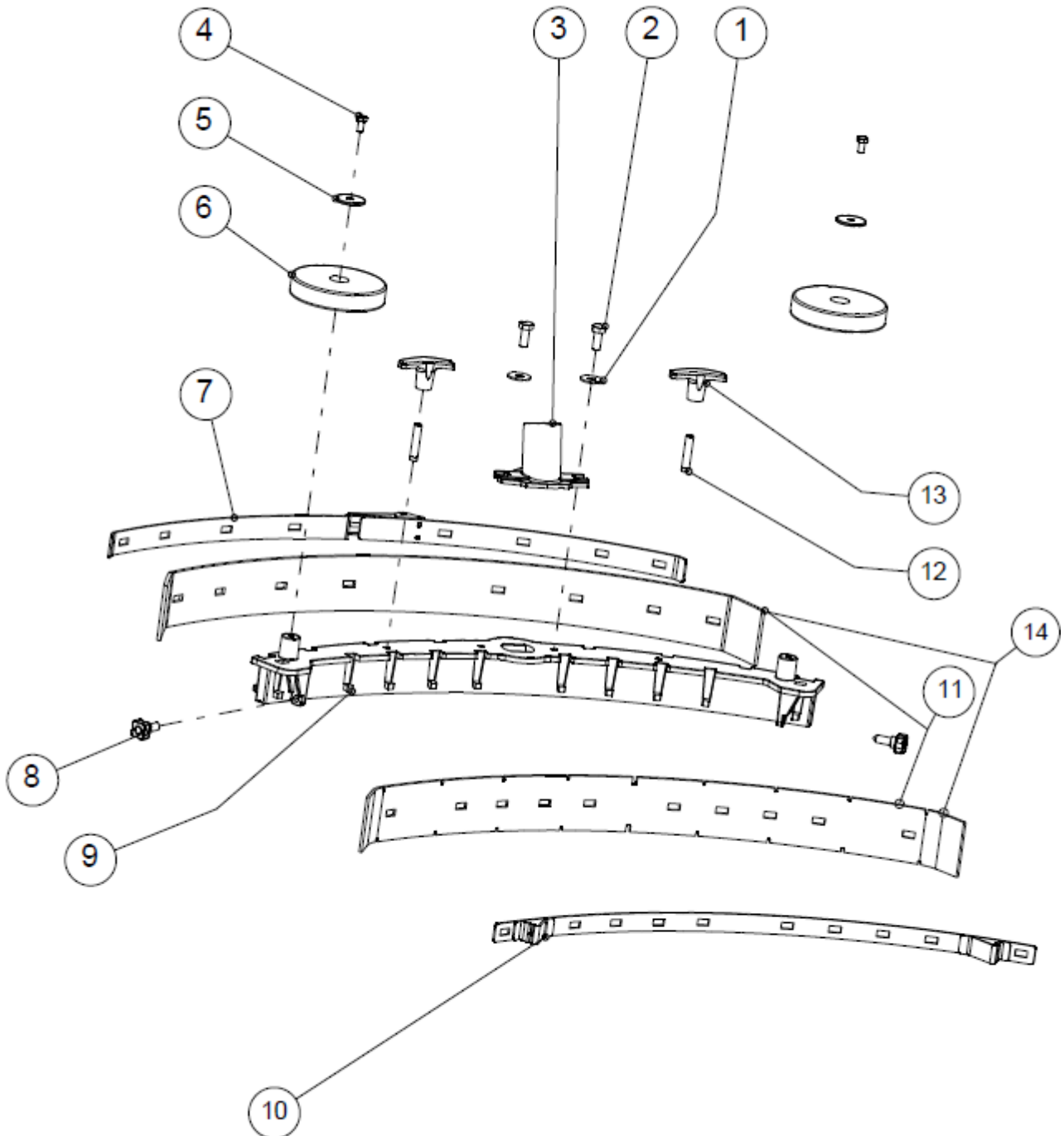




V. BRØNDUM A/S

Splittegning
Exploded View
Explosionszeichnung

Ghibli
Freccia 30 SM 45 BC/T

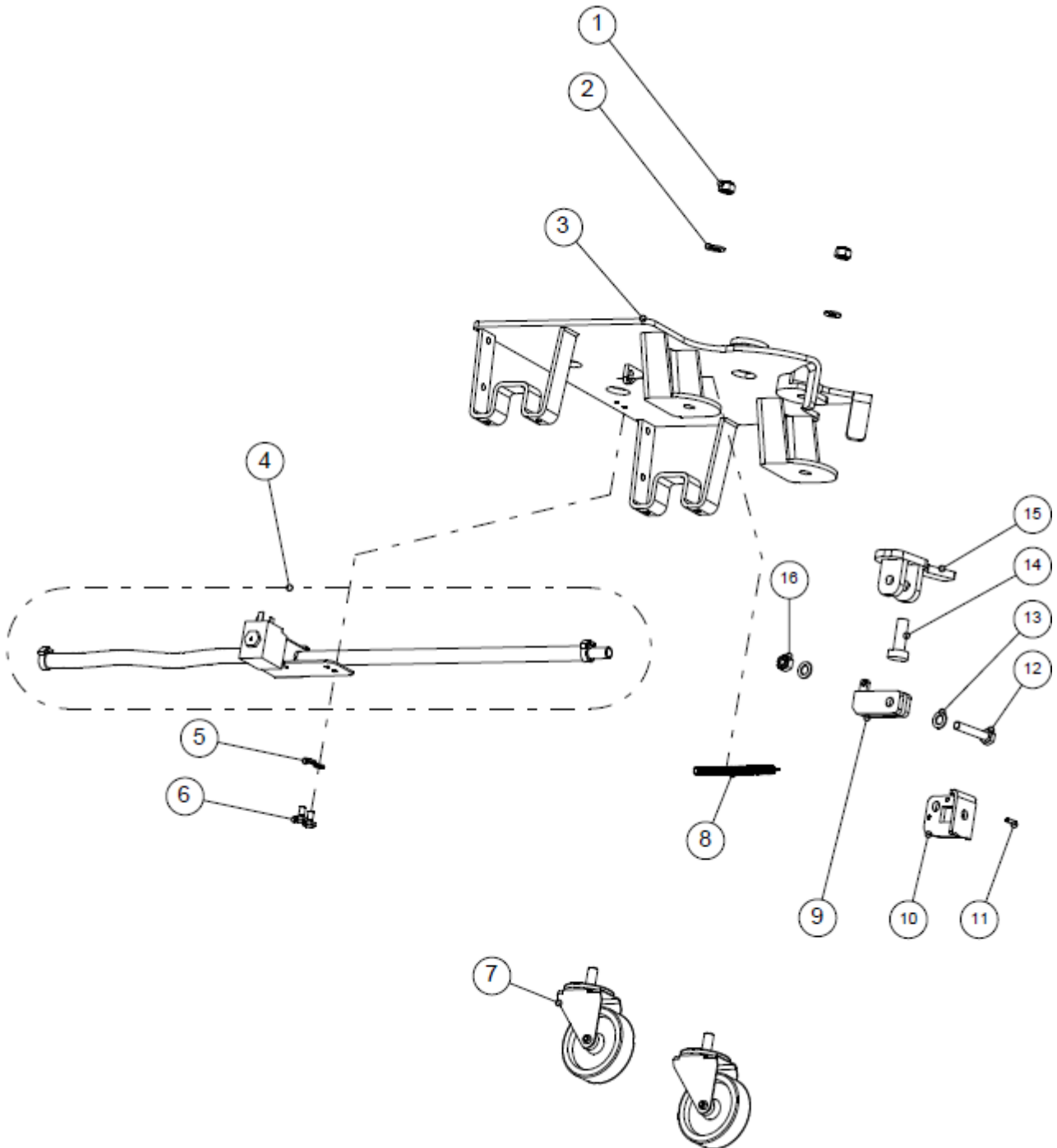




V. BRØNDUM A/S

Splittegning
Exploded View
Explosionszeichnung

Ghibli
Freccia 30 SM 45 BC/T

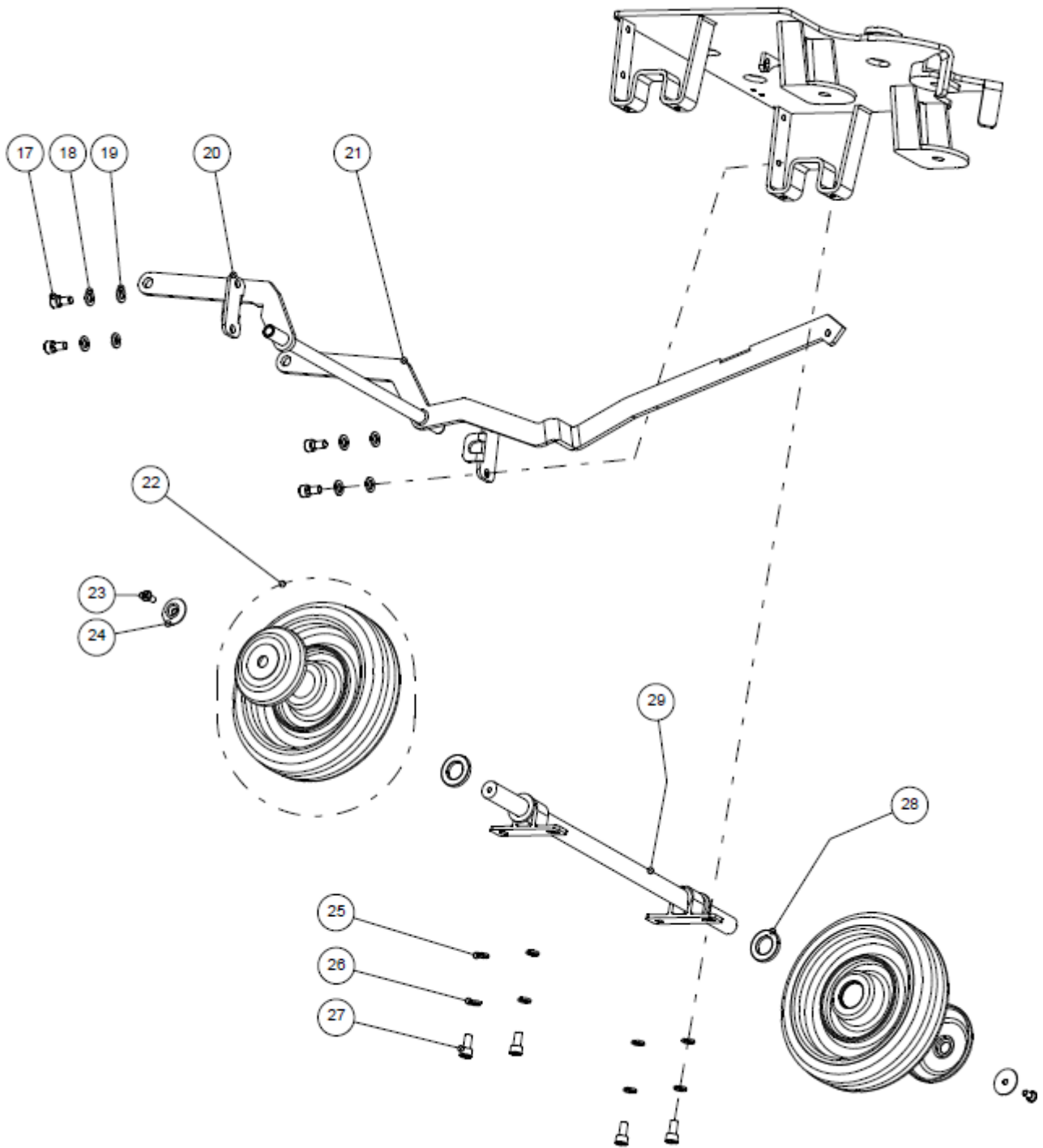




V. BRØNDUM A/S

Splittegning
Exploded View
Explosionszeichnung

Ghibli
Freccia 30 SM 45 BC/T

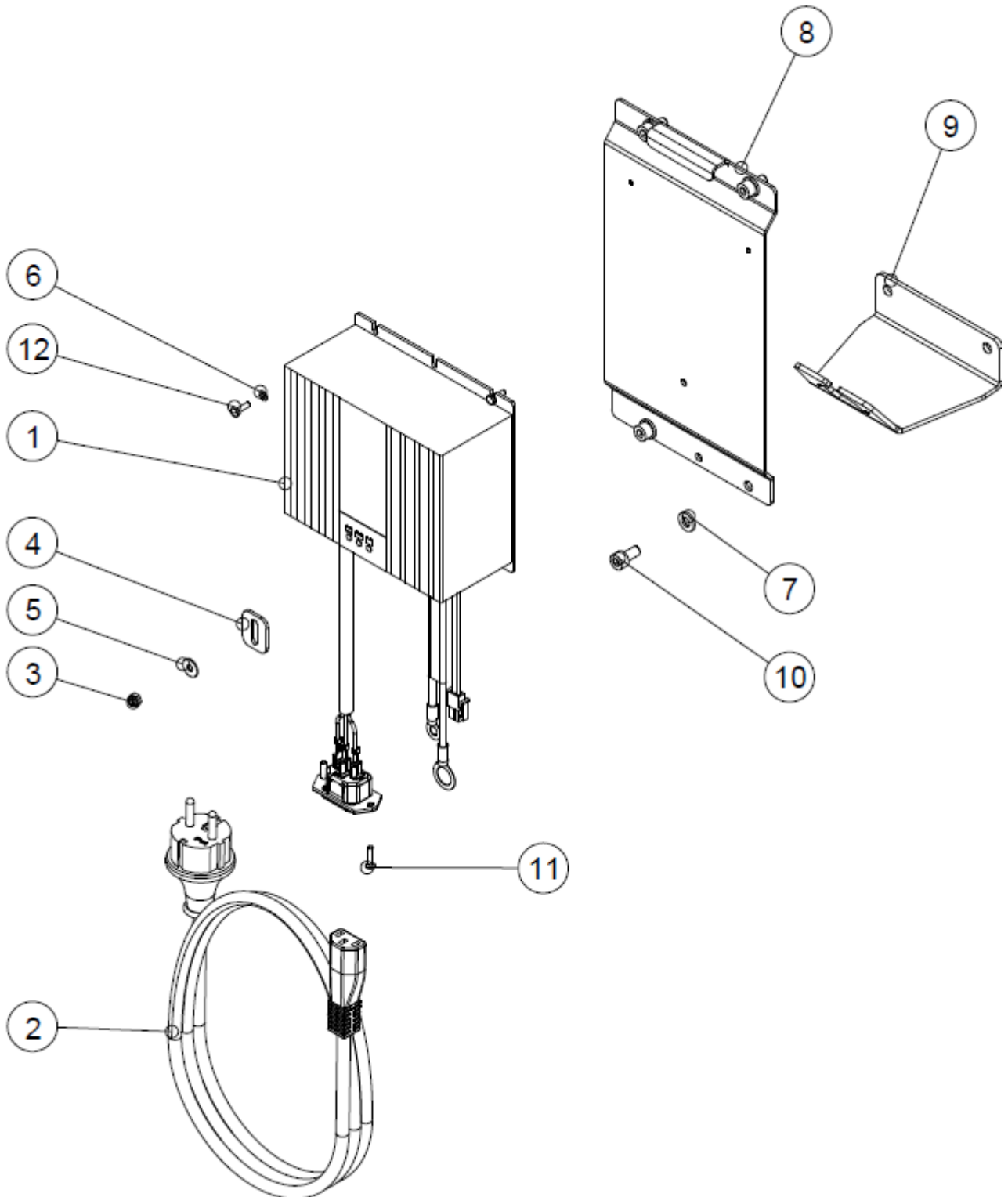




V. BRØNDUM A/S

Splittegning
Exploded View
Explosionszeichnung

Ghibli
Freccia 30 SM 45 BC/T

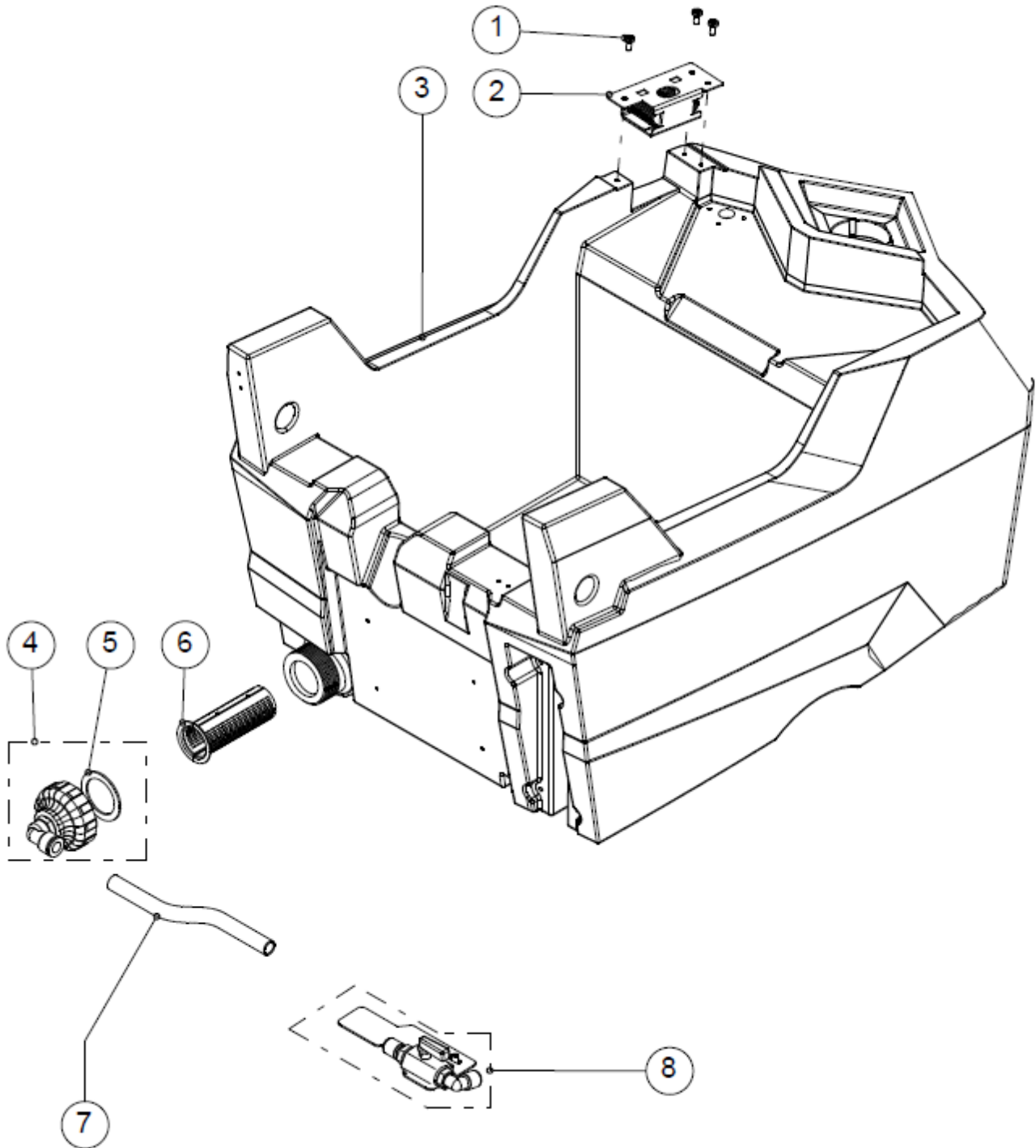




V. BRØNDUM A/S

Splittegning
Exploded View
Explosionszeichnung

Ghibli
Freccia 30 SM 45 BC/T

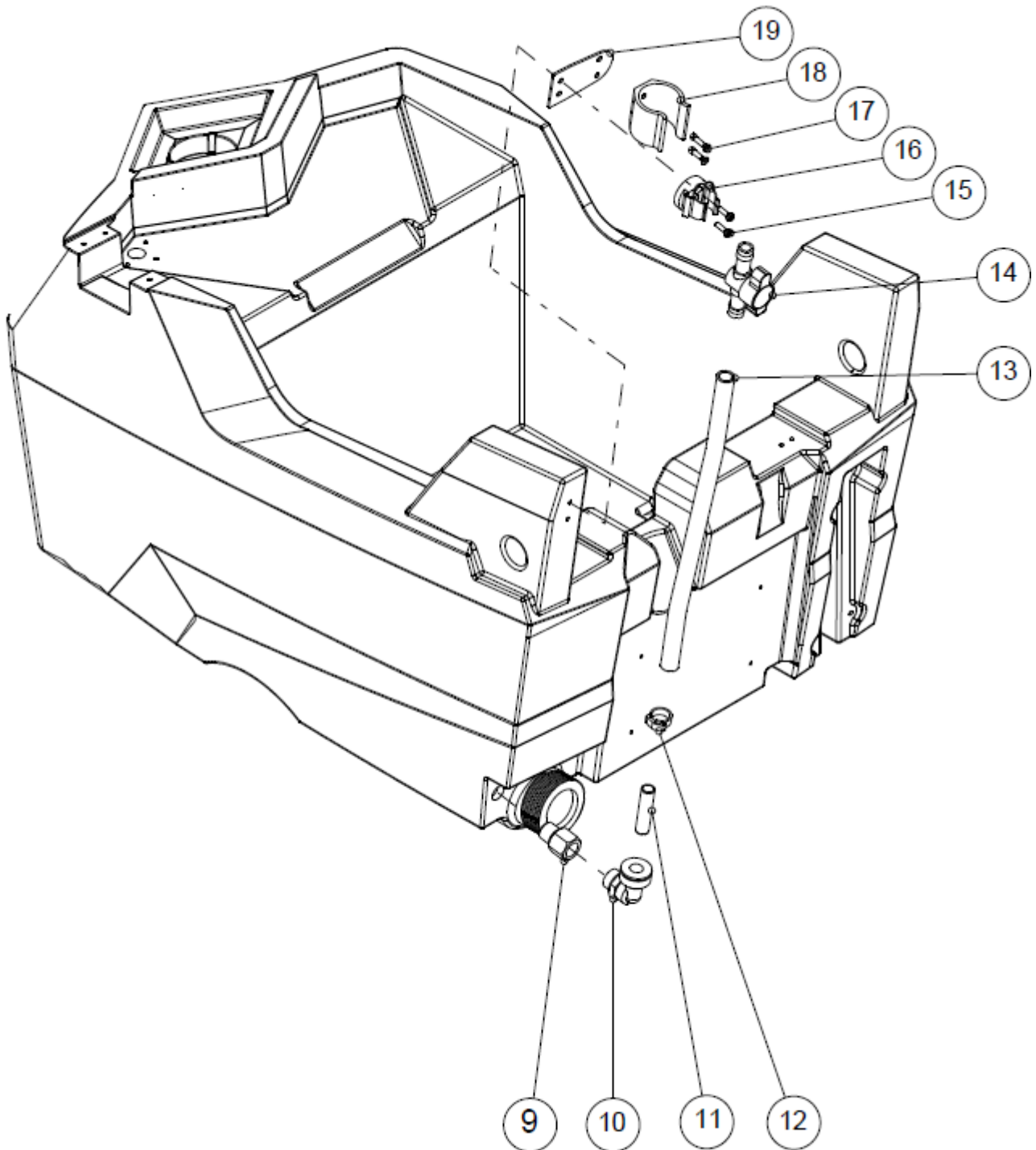




V. BRØNDUM A/S

Splittegning
Exploded View
Explosionszeichnung

Ghibli
Freccia 30 SM 45 BC/T

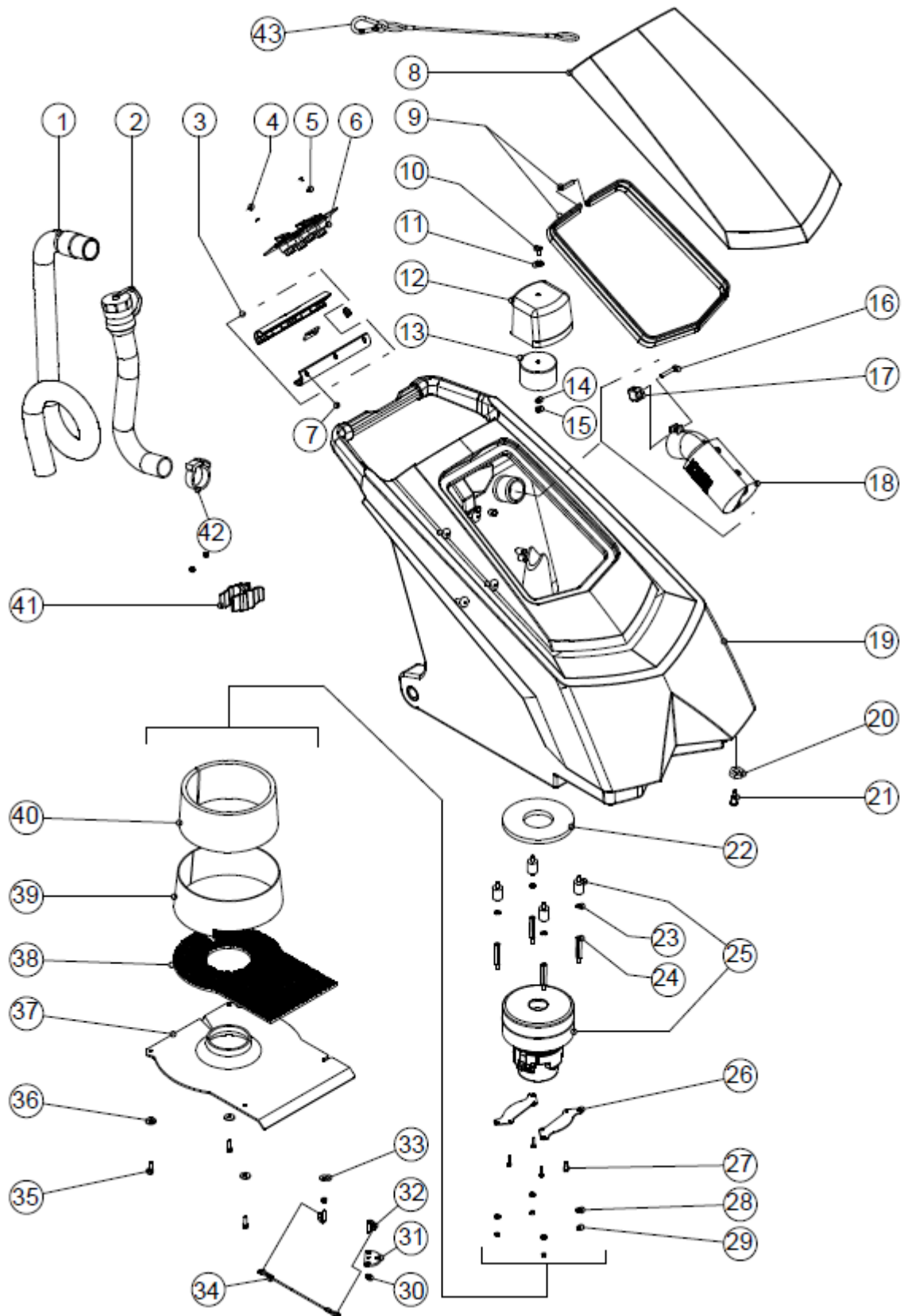




V. BRØNDUM A/S

Splittegning
Exploded View
Explosionszeichnung

Ghibli
Freccia 30 SM 45 BC/T

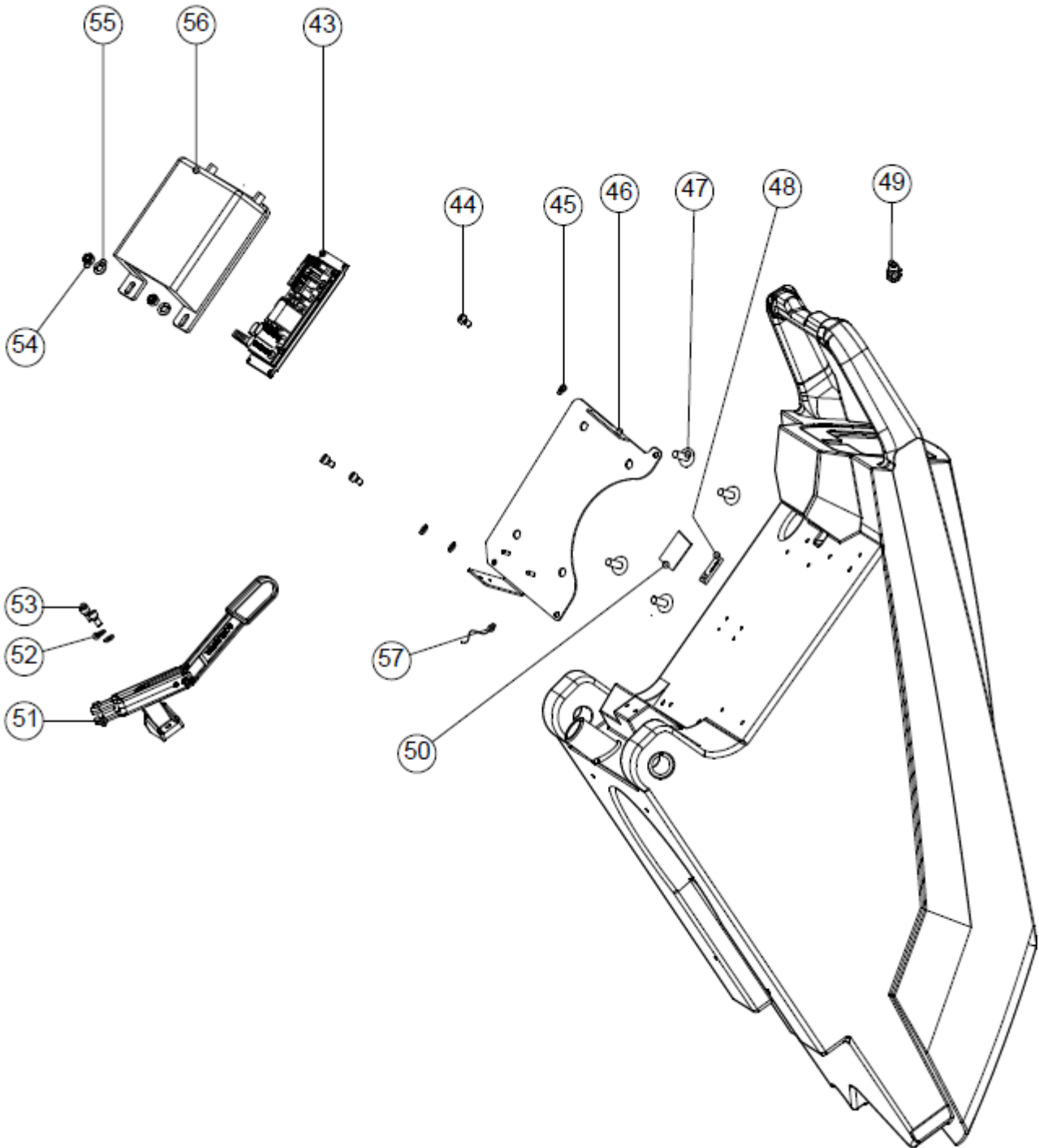




V. BRØNDUM A/S

Splittegning
Exploded View
Explosionszeichnung

Ghibli
Freccia 30 SM 45 BC/T

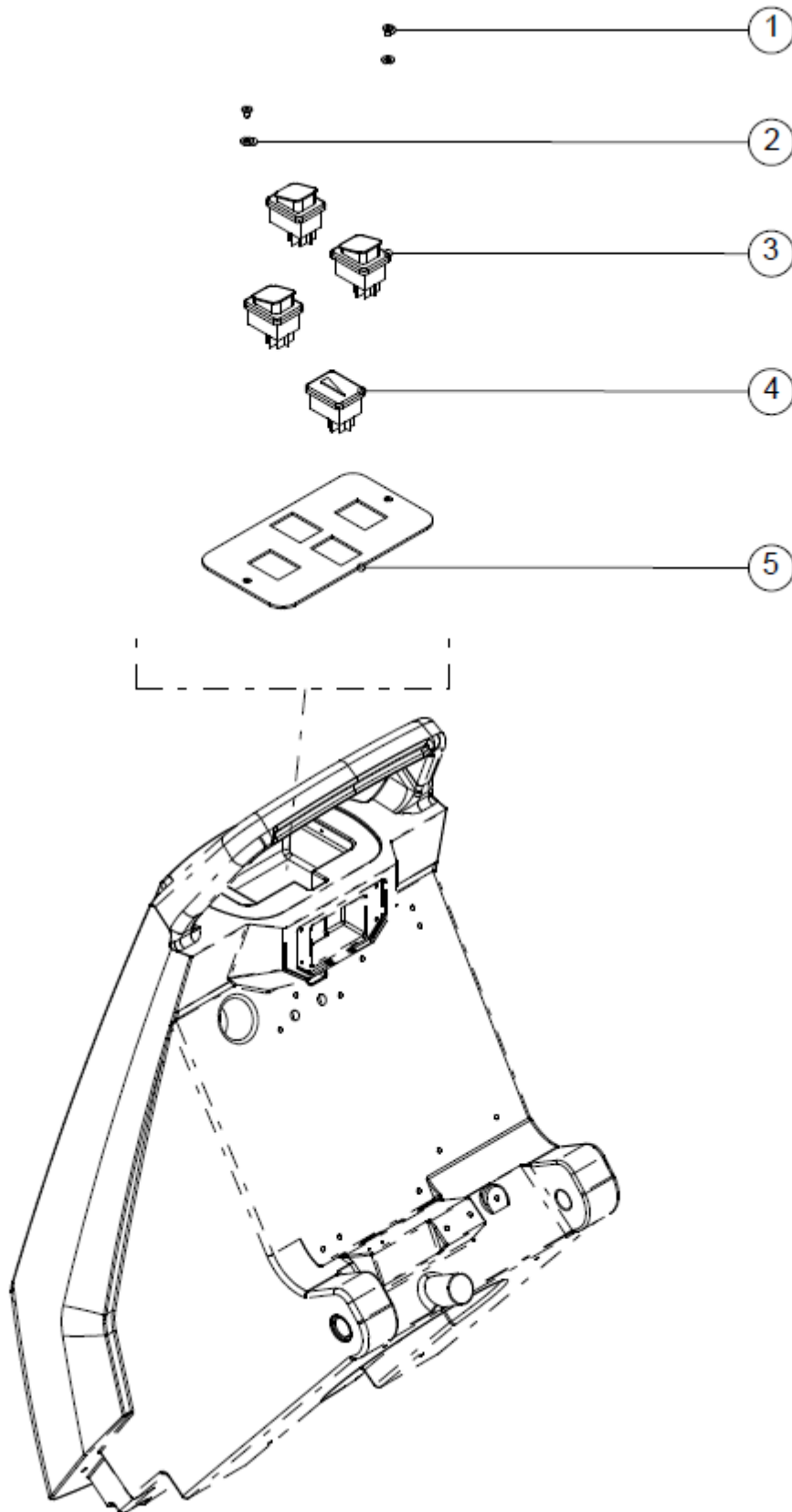




V. BRØNDUM A/S

Splittegning
Exploded View
Explosionszeichnung

Ghibli
Freccia 30 SM 45 BC/T

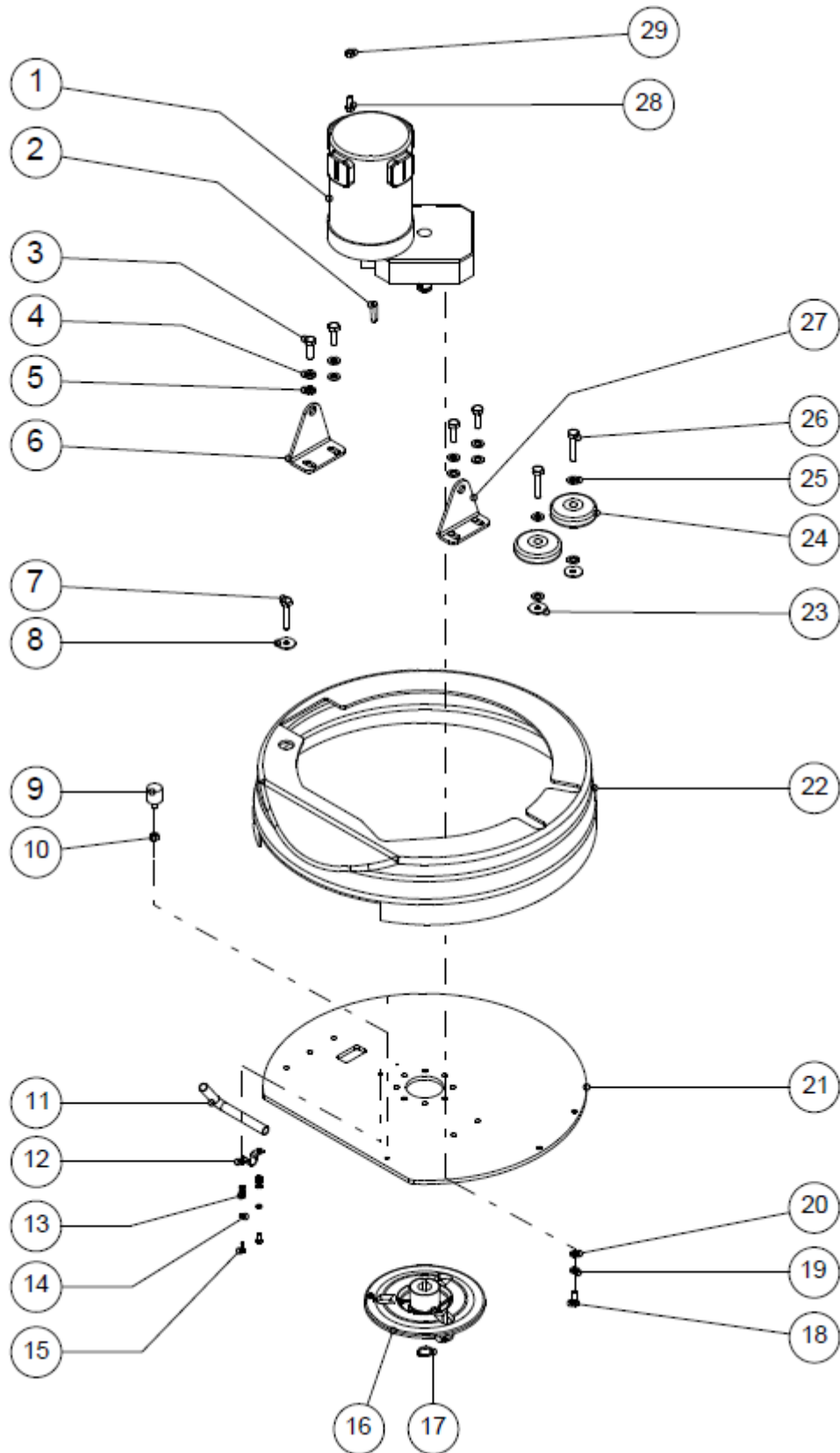




V. BRØNDUM A/S

Splittegning
Exploded View
Explosionszeichnung

Ghibli
Freccia 30 SM 45 BC/T





V. BRØNDUM A/S

Splittegning
Exploded View
Explosionszeichnung

Ghibli
Freccia 30 SM 45 BC/T

